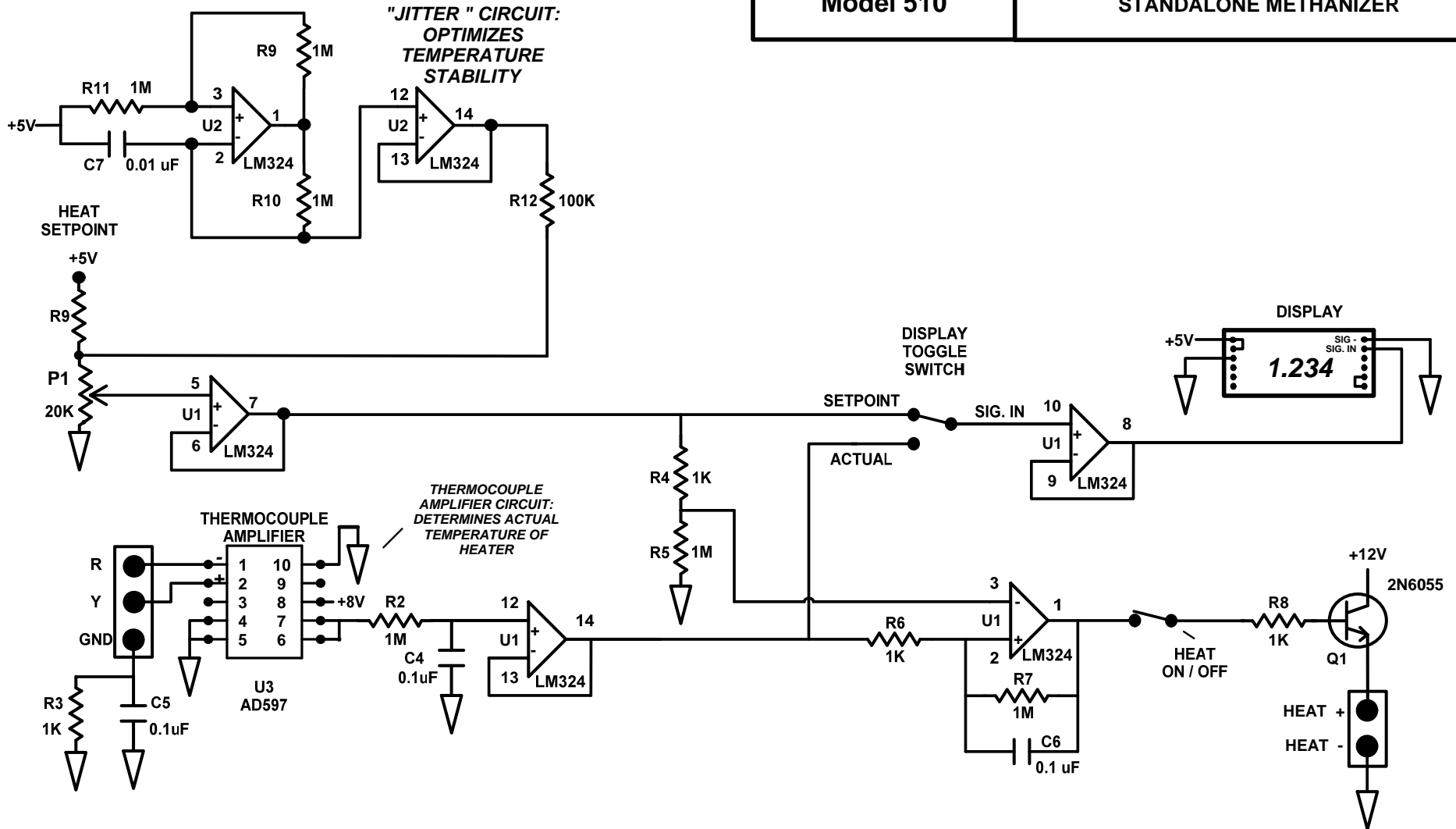
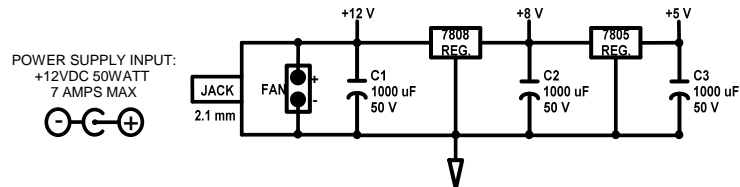


Model 510

STANDALONE METHANIZER



POWER SUPPLY SECTION



THE LM324's IN THIS CIRCUIT OPERATE USING +12V ON PIN 4.

MODEL 510  
SCHEMATIC